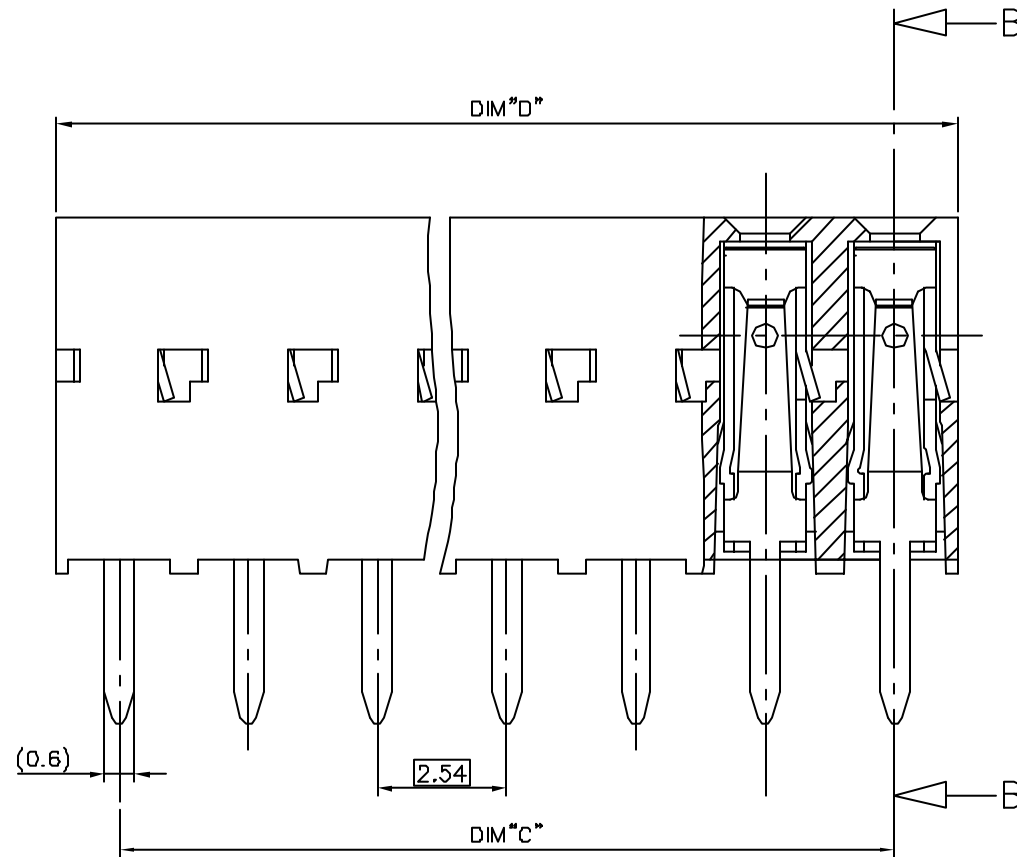
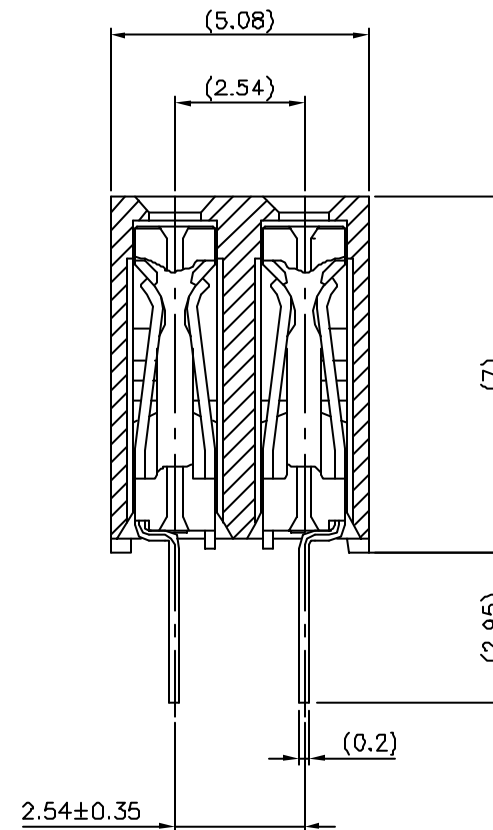


PRODUCT NUMBER	DIM "C"	DIM "D"
71966-YXX(LF)	SEE SHEET 2/2	

WHEN NEEDED, SUFFIX LETTER "LF" INDICATES THE PRODUCT IS RoHS COMPATIBLE. SEE NOTE 3



SECTION A-A



SECTION B-B

NOTES:

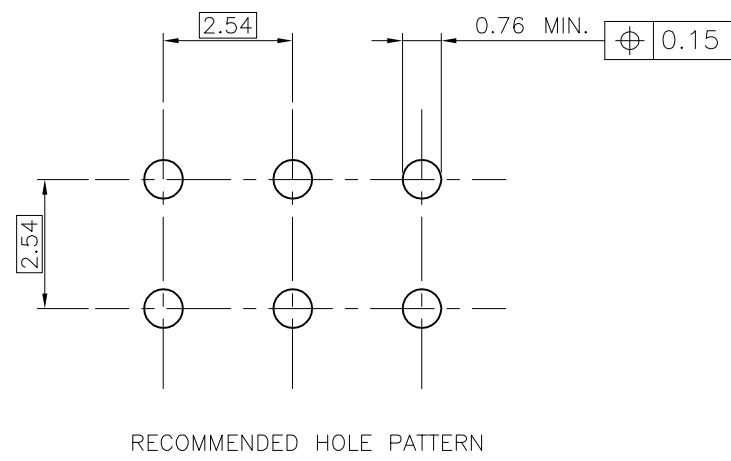
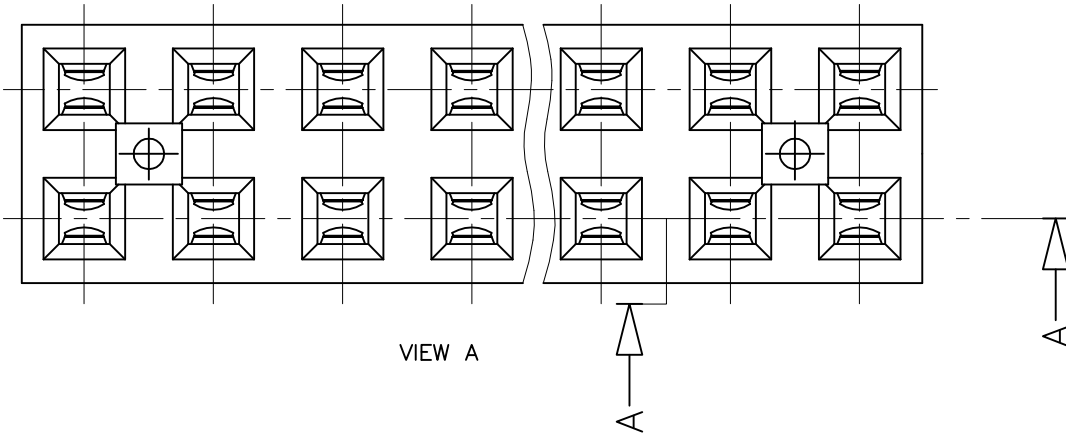
- 1 - MATERIAL HOUSING: THERMOPLASTIC POLYESTER 30% GLASS FILLED, COLOUR BLUE. FLAME RETARDANT PER UL-94 CATEGORY V0.
- 2 - MATERIAL TERMINAL: PHOSPHOR BRONZE EXTRA HARD.
- 3 - RoHS COMPATIBLE PRODUCT SPECIFICATIONS
 - a - PLATING:
 - "LF" MEANS THE PRODUCT IS LEAD-FREE, 2µm MINIMUM MATTE TIN OVER 1.27µm MINIMUM NICKEL UNDERPLATE.
 - b - MANUFACTURING PROCESS COMPATIBILITY
 - THE HOUSING WILL WITHSTAND EXPOSURE TO 260°C ±5°C SOLDER BATH TEMPERATURE FOR 5 SECONDS IN A WAVE SOLDER APPLICATION WITH A 1.6mm MIN THICK CIRCUIT BOARD.
 - c - LABELING:
 - MEETS PACKAGING SPECS AS PER GS-14-920
 - d - LEGAL STATEMENT: SEE GS-22-008

71966-4XXLF	5µm Sn	Sn
71966-3XXLF	0.76 µm GOLD	Sn
71966-4XX	5µm SnPb	SnPb
71966-3XX	0.76 µm GOLD	SnPb
PLATING CODE	CONTACT AREA	SOLDER TAIL
	PLATING THICKNESS OVER 1.27µm Ni	

CUSTOMER COPY FOR REFERENCE ONLY

mat'l. code		surface		tolerance		projection		product family	
SEE NOTES		ISO 1302		ISO 1101		ISO 1101		DX VCC DR	
ltr	ec'n no	dr	date	tolerances unless otherwise specified		angles		title	
B	F80285	PNZ	96.04.02	linear		±0.3		TOP ENTRY	
C	F80327	PNZ	88.05.08	±0.2		mm		SELECTED LOADED	
D	F04-0347	DLE	04.11.09	±0.2		scale 10:1		dwg no	
E	F06-0137	DLE	06.02.27	eng		P.NIZZI		96.04.02	
F	F06-0204	DLE	06.06.20	chr		JM.PHAMVAN		96.04.02	
G	F07-0271	LMU	07.12.08	appd		P.NIZZI		96.04.02	
sheet		revision		G		C		type	
index		sheet		1		2		CUSTOMER Drawing	

PRODUCT NUMBER	DIM"C"	DIM"D"	NB OF TERMINAL	CONTACT PLACED IN CAVITY (TABLE ACCORDING VIEW A)																																		
				1	2	3	4	5	6	7	8	9	10	11	12	13	14	15	16	17	18	19	20	21	22	23	24	25	26	27	28	29	30	31	32			
71966-Y01(LF)	78.74/3.100	81.20/3.197	54	X	X	X	X									X	X	X	X	X	X	X	X	X	X	X	X	X	X	X	X	X	X	X	X	X	X	
				X	X	X	X											X	X	X	X	X	X	X	X	X	X	X	X	X	X	X	X	X	X	X	X	X
71966-Y02(LF)	27.94/1.100	30.40/1.197	22	X	X	X	X	X	X	X	X	X	X		X																							
				X		X	X	X	X	X	X	X	X	X	X																							
71966-Y03(LF)	40.64/1.600	48.18/1.897	30	X	X	X	X	X	X	X	X	X	X	X		X	X		X	X																		
				X	X	X	X	X	X	X	X	X	X	X	X			X	X																			
71966-Y04(LF)	40.64/1.600	48.18/1.897	32	X		X	X	X	X	X	X	X	X	X	X	X	X	X	X	X	X	X	X	X	X	X	X	X	X	X	X	X	X	X	X	X	X	
				X		X	X	X	X	X	X	X	X	X	X	X	X	X	X	X	X	X	X	X	X	X	X	X	X	X	X	X	X	X	X	X	X	X
71966-Y05(LF)	40.64/1.600	48.18/1.897	28	X	X	X		X	X	X	X	X	X	X		X	X		X	X																		
				X	X	X		X	X	X	X	X	X	X	X			X	X																			



CUSTOMER COPY FOR REFERENCE ONLY

mat'l. code SEE NOTES		surface ISO 1302	tolerance ISO 406 ISO 1101	projection mm	product family DX VCC DR
ltr	ecr no	dr	date	tolerances unless otherwise specified	title
A	F80327	PNZ	98.05.06	angles ±0.3	TOP ENTRY SELECTED LOADED
B	F04-0347	DLE	04.11.09	linear ±2°	
C	F06-204	DLE	06.06.20		scale 10:1
sheet index		revision sheet			dwg no 71966
					sheet 2 of - size A2
					type CUSTOMER Drawing